

Series 6000-S

Application

- Coffee/Hot Tea Equipment
- Iced Tea Equipment

Water Filtration Systems

Spec No. _____
Quantity _____



CFS6112-S

Product Features

- ◆ 3/8" NPT vertical inlet and outlet allows for easy connection to existing piping.
- ◆ Valve-in-head design simultaneously shuts off and vents water with a 1/4 turn, allowing for simple and trouble-free cartridge change-outs.
- ◆ FDA CFR-21 and/or NSF compliant materials provides peace of mind that this product is suitable for potable applications.
- ◆ SQC™ - Sanitary Quick Change encapsulated design reduces contamination during change-outs and are disposable and incinerable.

The CFS6000-S water filtration systems are designed to maintain hot beverage clarity, consistency and full flavor, as well as maintaining efficient brewing machine operations. Premium activated carbon reduces chlorine taste and odor and bitterness associated with poor water quality. Built-in scale inhibition reduces the ability of calcium and magnesium to precipitate on the brew equipment heating coils and boilers as hard scale. The filtration media reduces sediment particles that can clog the spray head in the brew basket. Three filtration media technologies address varying water conditions.

Product Specifications

Model Number	Part Number	Reduction Claims	Micron Rating	Capacity	Service Flow Rate	Application	Replacement Cartridge	Qty	Sizing
CFS6710-S	55889-09	Sediment, Chlorine, Scale	5	3,500 gallons (13,249 liters)	1.3 gpm (4.9 lpm)	High Turbidity	CFS517	1	56,000 cups (8 oz.)
CFS6112-S	55889-07	Sediment, Chlorine, Scale	1	10,000 gallons (37,854 liters)	1.5 gpm (5.7 lpm)	Standard Water	CFS8112-S	1	160,000 cups (8 oz.)
CFS6812-S	55889-17	Sediment, Chlorine, Cyst, Scale	0.5	9,000 gallons (34,069 liters)		Cyst	CFS8812X-S	1	144,000 cups (8 oz.)
CFS6720-S	55889-05	Sediment, Chlorine, Scale	5	4,800 gallons (18,170 liters)		High Turbidity	CFS8720-S	1	76,800 cups (8 oz.)



Visit www.nsf.org for the claims associated with products that are NSF listed.



Water Filter Systems
Foodservice

Series 6000-S Water Filtration Systems

Spec No. _____
 Quantity _____
 Model Number _____
 Part Number _____

Physical Specifications:

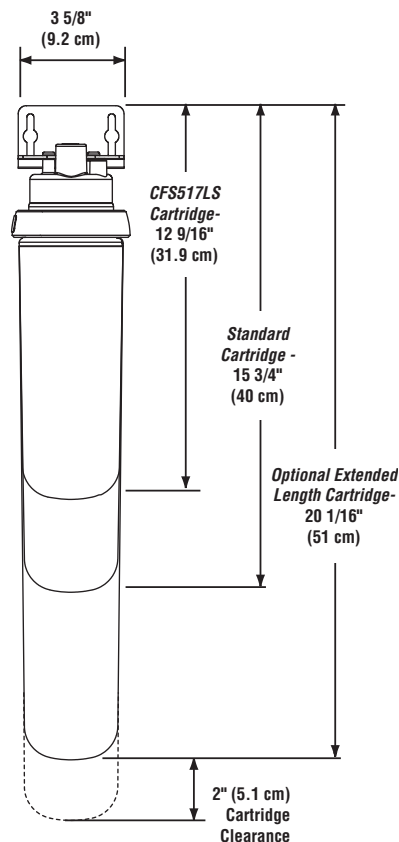
- System to be a single vessel.
 - Filter head to create positive seal to the cartridge by means of internal automatic 1/4 turn shut-off valve.
 - System inlet and outlet plumbing connections to be 3/8" NPT.
 - System to be manufactured from FDA CFR-21 and/or NSF compliant materials.
 - System to carry a NSF Performance Data Sheet*.
 - Filter cartridge to be a non-activation type.
 - Filter cartridges to be double o-ring seal type.
 - Filter cartridges to incorporate a graded density, multi-composite carbon block or granular activated carbon.
 - Filter cartridges to have a built-in time released scale inhibitor.
 - System to have maximum operating pressure of 125 psi (862 kPa) and operating temperature of 100°F (38°C).
 - Filter cartridges to be sanitary in design requiring no contact with the filter media during cartridge change-outs.
 - Each system to have a ___ micron nominal particle reduction capability.
 - Each system will reduce chlorine taste and odor for _____ gallons (liters).
 - System to have a service flow rate of 1.3 or 1.5 gpm (4.9 or 5.7 lpm).
- * For NSF listed products.

Installation Tips:

- Shut off downstream equipment prior to installation of the system.
- Do not exceed operating parameters for temperature or pressure.
- Do not install outdoors.
- For cold water use only.
- For commercial use only.

Do not use with water that is microbiologically unsafe or of unknown quality without adequate disinfection before or after the system. Systems certified for cyst reduction may be used on disinfected water that may contain filterable cysts. EPA Establishment Number 070595-CT-001.

CUNO Incorporated recommends regularly scheduled maintenance and replacement of the filter cartridge(s) in order for the product to perform as advertised/sold.



Cartridge Options

Model Number	Part Number	Reduction Claims	Micron Rating	Capacity gal. (lit.)	Service Flow Rate	Application	Sizing
CFS8110-ELS	55720-07	Sediment, Scale	5	N/A	1.67 gpm (6.3 lpm)	High Turbidity	6 Months
CFS8112-ELS	55817-27	Sediment, Chlorine, Scale	1	12,600 (47,696)		Standard Water	201,600 cups (8 oz.)
CFS8812ELX-S	56011-07	Sediment, Cyst, Chlorine, Scale	0.5	14,000 (52,996)		Cyst	224,000 cups (8 oz.)
CFS8720-ELS	55893-08	Sediment, Chlorine, Scale	5	5,500 (20,820)		High Turbidity	88,000 cups (8 oz.)

Limited 5 Year Warranty

CUNO Incorporated warrants to the original purchaser-consumer that this product is free from defects in materials and workmanship. This warranty, together with any and all warranties implied by law, shall be limited to a period of five (5) years from the date of original purchase by the consumer. This warranty does not apply to failures that result from abuse, misuse, alteration or damage not caused by CUNO. This warranty is subject to exclusions and limitations. Please refer to the Warranty Card provided with the product for details.

Service Worldwide

China
 CUNO Filtration Shanghai Co. Ltd.
 No. 2 Plant East Side
 Xin Miao San Road
 XinQiao Town SongJiang District
 Shanghai, China 201612

Australia
 CUNO Pacific Pty Ltd.
 140 Sunnholt Road
 Blacktown, N.S.W. 2148
 Australia

Europe
 CUNO Limited
 21 Woking Business Park
 Albert Drive
 Woking, Surrey
 GU21 5JY, England



Japan
 CUNO K.K.
 Hodogaya Station Building 6F
 1-7, Iwai-Cho, Hodogaya-Ku
 Yokohama 240-0023, Japan

Brazil
 CUNO Latina Ltda
 Rua AMF do Brazil - 251
 18120 Mairinque-SP, Brazil

Singapore
 CUNO Filtration Asia Pte Ltd
 18 Tuas Link 1
 3rd Floor
 Singapore 638599

CUNO Incorporated
 400 Research Parkway
 Meriden, CT 06450, USA
 Toll Free: 1-888-218-CUNO
 Worldwide: 203-237-5541
 Fax: 203-238-8701