

SPEC # _____

QUANTITY _____

APPLICATION

COFFEE AND TEA BREWERS



AT A GLANCE

Aqua-Pure[®] BREW120-MS and BREW125-MS single-cartridge water-filtration systems assure consistent high-quality water for the perfect cup of coffee or tea by reducing the harmful effects of sediment and chlorine at flow rates to 1.5 gpm (5.7 lpm). A proprietary slow-release scale inhibitor reduces the ability of calcium and magnesium salts to form on the heating coils and cause downtime and unscheduled service maintenance.

- **MODEL BREW120-MS** combines scale reduction with cyst, sediment and chlorine taste and odor reduction for 9,000 gallons (34,069 liters).
- **MODEL BREW125-MS** combines scale reduction with sediment and chlorine taste and odor reduction from higher-turbidity water for 10,000 gallons (37,854 liters).

PRODUCT BENEFITS

- Consistent great-tasting brewed coffee and tea from water with reduced sediment and chlorine taste and odor.
- Certified by NSF to Standard 53 for cyst reduction (BREW120-MS system).
- NSF Standard 42 and/or FDA CFR-21 compliance provides assurance of safety.
- Equipment protection from reduced sediment particles that can clog the spray head.
- Reduced scale formation by the controlled release of proprietary scale-inhibitors (as tested by CUNO).
- Patented *valve-in-head design simultaneously shuts off and vents water with 1/4 turn, allowing for simple and trouble-free cartridge change-outs.
- SQC™ – Sanitary Quick Change – encapsulated cartridge design allows for fast and easy change-outs with a 1/4 turn while minimizing the possibility of leakage and contamination.
- 3/8" FNPT horizontal inlet and outlet ports allow direct or easily adaptable connections to existing plumbing lines.
- Optional pressure gauge allows monitoring of downstream water pressure.
- Exhausted cartridges may be incinerated for environmentally conscious disposal.

PRODUCT SPECIFICATIONS

Model Number	Part Number	Reduction Claims	Micron Rating	Capacity	Service Flow Rate	Application	Replacement Cartridge	Sizing
BREW 120-MS	56160-01	Cyst, Sediment, Chlorine Taste & Odor, Scale	0.5	9,000 gals (34,069 liters)	1.5 gpm (5.7 lpm)	Most Standard Water	HF20-MS: 56151-09	18,000 pots (1/2-gal/2-liter)
BREW 125-MS	56160-02	Sediment, Chlorine Taste & Odor, Scale	1.0	10,000 gals (37,854 liters)	1.5 gpm (5.7 lpm)	Higher Turbidity Water	HF25-MS: 56152-09	20,000 pots (1/2-gal/2-liter)

* U.S. Patent #6,458,269

Aqua-Pure® Commercial Products

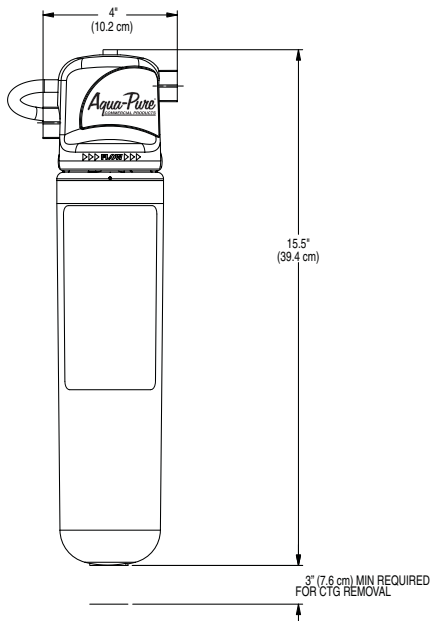
SPEC # _____
QUANTITY _____
MODEL NUMBER _____
PART NUMBER _____

Aqua-Pure®

COMMERCIAL PRODUCTS

BREW 120-MS/BREW 125-MS

PHYSICAL SPECIFICATIONS



- System includes a head assembly, integral mounting bracket, and single cartridge filter.
- Optional downstream pressure gauge port in top of head assembly.
- Inlet and outlet plumbing connections are 3/8" FNPT.
- System incorporates an internal automatic 1/4 turn shutoff valve.
- Filter cartridge is double o-ring seal type.
- System maximum operating pressure is 125 psi (862 kPa) and operating temperature 100°F (38°C).
- Recommended service flow rate is 1.5 gpm (5.7 lpm).
- Filter cartridges incorporate carbon block media and a scale inhibitor.
- System is NSF Standard 42 and/or CFR-21 compliant.
- Cartridge body is constructed from high-impact polypropylene.
- Cartridges are sanitary in design, requiring no contact with the filter media during cartridge change-out.
- Filter cartridges require no pre-activation.
- A NSF Performance Data Sheet (PDS) is included.
- Shipping weight: 19 lbs (8.6 kg)
- Case Quantity: 6

INSTALLATION TIPS

- Shut off downstream equipment prior to installation of the system.
- Choose mounting location to support full system weight when operating.
- Do not exceed operating parameters for temperature or pressure.
- Do not install outdoors.
- For commercial use only with cold water.

LIMITED 5 YEAR WARRANTY

CUNO Incorporated warrants to the original purchaser-consumer that this product is free from defects in materials and workmanship. This warranty, together with any and all warranties implied by law, shall be limited to a period of five (5) years from the date of original purchase by the consumer. This warranty does not apply to failures that result from abuse, misuse, alteration or damage not caused by CUNO. This warranty is subject to exclusions and limitations. Please refer to the Warranty Card provided with the product for details.

Do not use with water that is microbiologically unsafe or of unknown quality without adequate disinfection before or after the system. Systems certified for cyst reduction may be used on disinfected water that may contain filterable cysts. EPA Establishment Number 070595-CT-001.

CUNO Incorporated recommends regularly scheduled maintenance and replacement of the filter cartridge(s) in order for the product to perform as advertised/sold. Change the filter cartridge at least every 6 months. CUNO shall not be liable for system failures due to improper maintenance.

SERVICE WORLDWIDE

CHINA
CUNO Filtration Shanghai Co. Ltd.
No. 2 Plant East Side
Xin Miao San Road
XinQiao Town SongJiang District
Shanghai, China 201612

JAPAN
CUNO K.K.
Hodogaya Station Building 6F
1-7, Iwai-Cho, Hodogaya-Ku
Yokohama 240-0023, Japan

AUSTRALIA
CUNO Pacific Pty Ltd.
140 Sunnyholt Road
Blacktown, N.S.W. 2148
Australia

BRAZIL
CUNO Latina Ltda
Rua AMF do Brazil - 251
18120 Mairinque-SP, Brazil

EUROPE
CUNO Limited
21 Woking Business Park
Albert Drive
Woking, Surrey
GU21 5JY, England

SINGAPORE
CUNO Filtration Asia Pte Ltd
2A Tuas Avenue 12
Singapore 639023



Visit www.nsf.org for the claims associated with products that are NSF listed.



CUNO Incorporated

400 Research Parkway
Meriden, CT 06450, USA
Toll Free: 1.888.218.CUNO
Worldwide: 203.237.5541
Fax: 203.238.8701

www.cunofoodservice.com